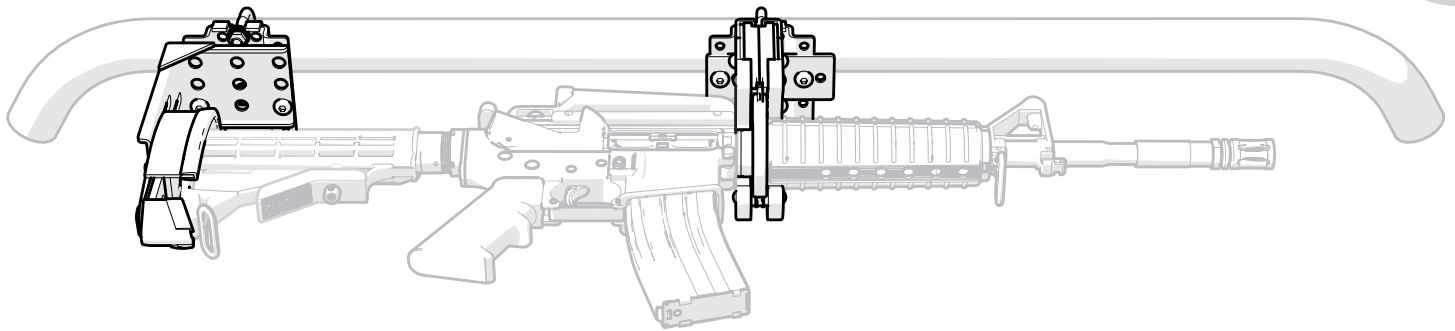
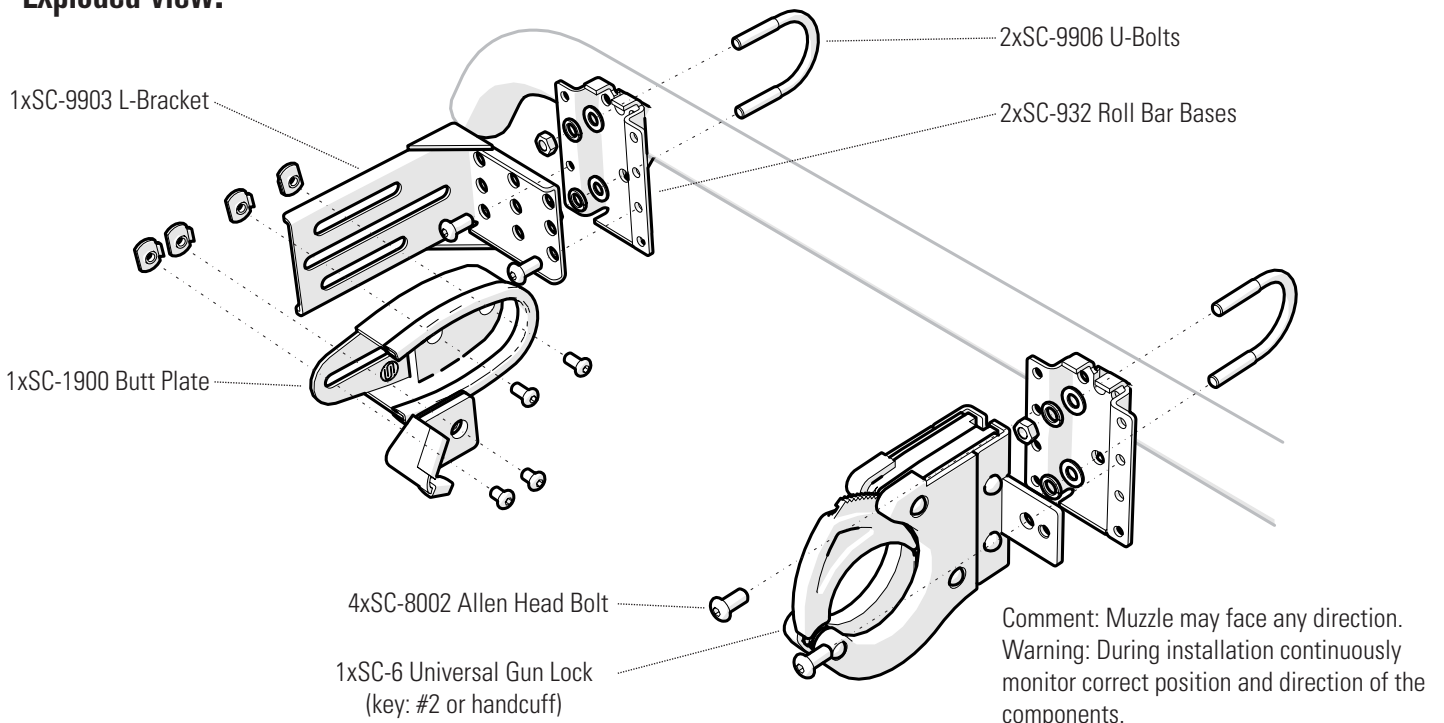


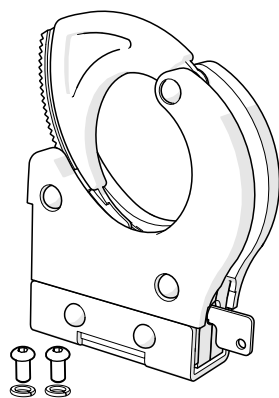
Fixed Universal Overhead Gun Rack with SC-6 Lock **SC-934-5**



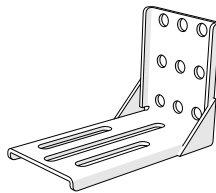
Exploded view:



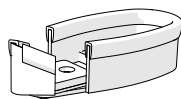
Components:



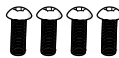
1xSC-6 Universal Gun Lock
(key: #2 or handcuff)



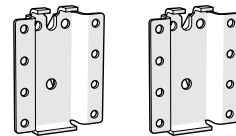
1xSC-9903 L-Bracket



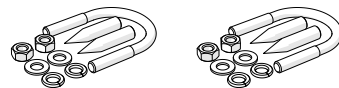
1xSC-1900 Butt Plate



6xSC-8002 Allen Head Bolt



2xSC-932 Roll Bar Bases



2xSC-9906 U-Bolts

Fixed Universal Overhead Gun Rack with SC-6 Lock **SC-934-5**

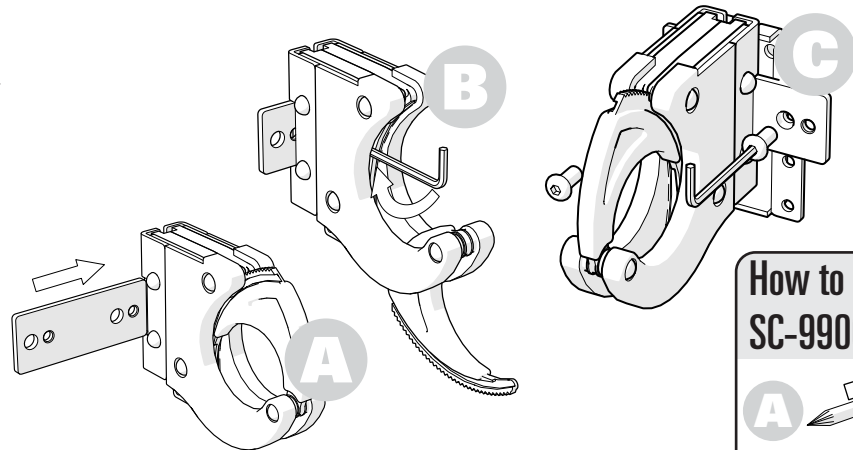
1 Install Gun Lock

Install Cross Bar (A) (SC-503) onto Gun Lock (SC-6), this secured in center position with the hidden set screw located on the middle of the lock.

The Gun Lock must be in the center of the Cross Bar

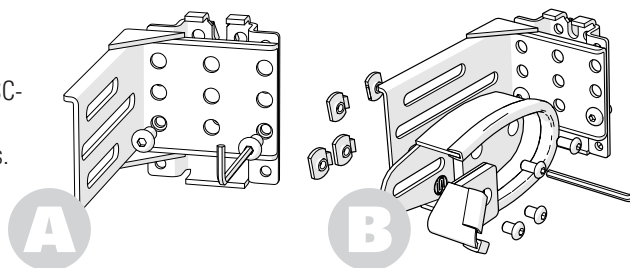
Tighten the set screw securely.

Install the Cross Bar temporarily on Roll Bar Base (C)(SC-932). Since this is not the final installation, do not tighten bolts.



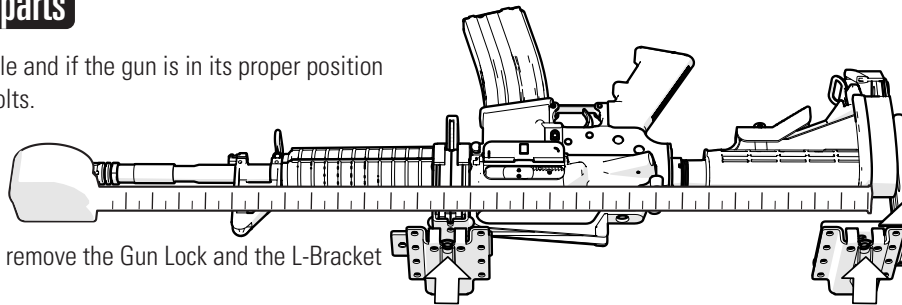
2 Install Butt Plate

Install the L-Bracket (SC-9903) on the Roll Bar Base (A) (SC-932) and install Butt Plate (B) (SC-1900) on the L-Bracket. Since this is not the final installation, do not tighten bolts.



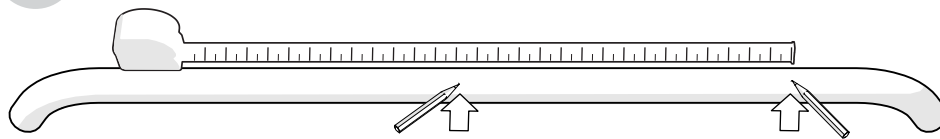
3 Adjust the parts

Assemble the setup on a table and if the gun is in its proper position measure the location of U-Bolts.



Keep the measurements and remove the Gun Lock and the L-Bracket from the 2 Roll Bar Base.

4 Mark the U-Bolts



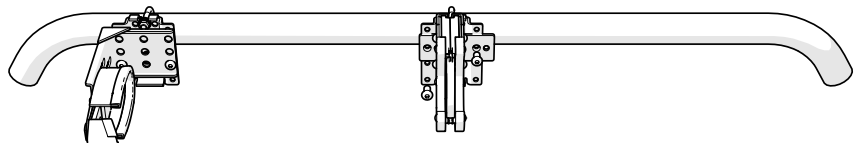
Mark the position of U-Bolts (as measured above) on the back of the partition wall pipe.

Warning: After installation the gun must have enough room under the ceiling with leaving room on both sides.

6 Assembly Elements

Install Gun Lock on Roll Bar Base (as shown in Step 1) and on the L-Bracket (as shown in Step 2).

7 Tighten the screws



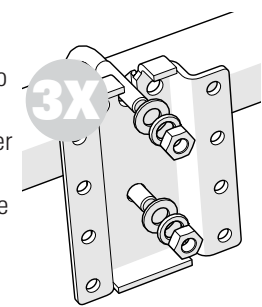
Place your weapon into the setup, test and retest your installation by repeatedly inserting and removing the weapon from the assembly. When satisfied, tighten all screws and test again.

How to use the SC-9906 U-Bolts

5 Install Base Plates

Perforate the foam lining of the partition wall pipe from back to front with the help of spikes attached to the U-Bolts.

Press hard U-Bolts to reach their final position. On the other side, pull off the spikes and install the 2 Roll Bar Base (SC-932) by tightening the bolts.



Fixed Universal Overhead Gun Rack with SC-6 Lock **SC-934-5**

Important

Should you have any problem installing or using Santa Cruz products, we are here to help you every step of the way. Just give us a call at our toll free number (800) 847-5428 and we will be glad to help you with the installation, special part request or any other way you might need assistance.

WARNING! SAFETY FIRST! **Gun Lock Safety Precautions**



NOTE:

Santa Cruz Gunlocks, LLC (SCG) gun racks and gun locks are intended for temporary, secure storage of firearms. They are not substitutes for a permanent storage enclosure and only act as limited theft deterrents. And they will not prevent accidental discharge/firing of a chambered round.

To properly and safely use the SCG gun rack and/or gun lock:

- Do not use if your firearm does not fit the SCG gun rack and/or gun lock
- Never chamber a round while using a SCG gun rack and/or gun lock
- It is the responsibility of the user to operate the SCG gun rack and/or gun lock properly and safely

Santa Cruz Gunlocks, LLC (SCG) warrants this product to be free of defects in material and workmanship under normal use for one year from the date of purchase.

SCG makes no other express or implied warranties of the product. The purchaser's sole and exclusive remedy in the unlikely event of breach of warranty is expressly limited to, at SCG's election, repair, refurbishment, or replacement of the defective product with the same version or an upgrade or, if replacement is not possible, a refund of the purchase price.

Shipping cost to SCG must be paid by the user and SCG will pay return shipping charges. Repair parts and replacement products will be provided on an exchange base only and will be either reconditioned or new. This limited warranty does not cover damage to the product resulting from accident, disaster, misuse, abuse, negligence, improper installation or modification or repair of the product other than by SCG. Limited warranty service may be obtained by returning the product to SCG. THIS LIMITED WARRANTY IS IN LIEU OF ALL OTHER WARRANTIES, EXPRESS OR IMPLIED, INCLUDING, BUT NOT LIMITED TO, THE IMPLIED WARRANTIES OF MERCHANTABILITY AND FITNESS FOR A PARTICULAR PURPOSE. Some states, do not allow the exclusion of implied warranties, so their exclusion above may not apply to you.

LIMITATION OF LIABILITY

NEITHER SCG NOR ITS AUTHORIZED DEALER(S) SHALL BE LIABLE FOR ANY DIRECT, INDIRECT, INCIDENTAL, SPECIAL, OR CONSEQUENTIAL DAMAGES, WHETHER IN AN ACTION IN CONTRACT OR TORT (INCLUDING NEGLIGENCE AND STRICT LIABILITY), SUCH AS, BUT NOT LIMITED TO, LOSS OF ANTICIPATED PROFITS OR BENEFITS RESULTING FROM THE USE OR NOT USE OF THE PRODUCT OR ANY BREACH OF ANY WARRANTY, EVEN IF SCG OR ITS AUTHORIZED REPRESENTATIVE HAS BEEN ADVISED OF THE POSSIBILITY OF SUCH DAMAGES. IN NO EVENT WILL SCG OR ITS AUTHORIZED REPRESENTATIVES' LIABILITY EXCEED THE PRICE PAID FOR THE PRODUCT.

Tamper resistant hardware (optional)



4x Tamper Resistant
Torx Head Bolt
5/16-18

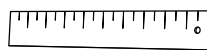


TT-40 Torx Bit

Tools needed for installation



Tape Measure



Ruler



3/16" Hex Wrench



3/4" Wrench



Nutdriver



Pencil

Note: