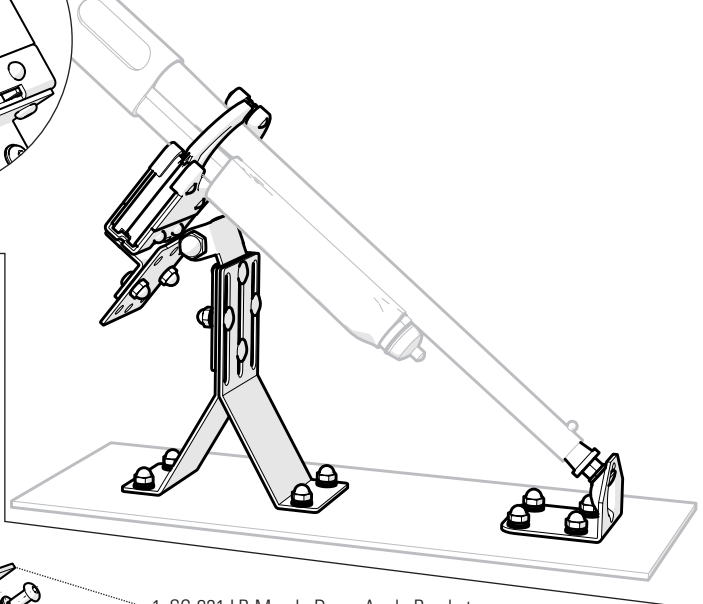
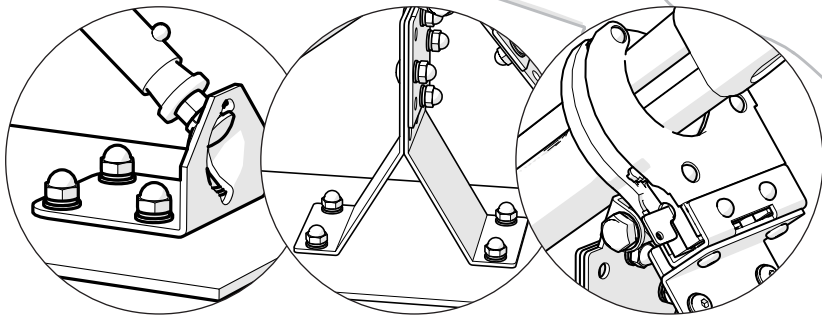
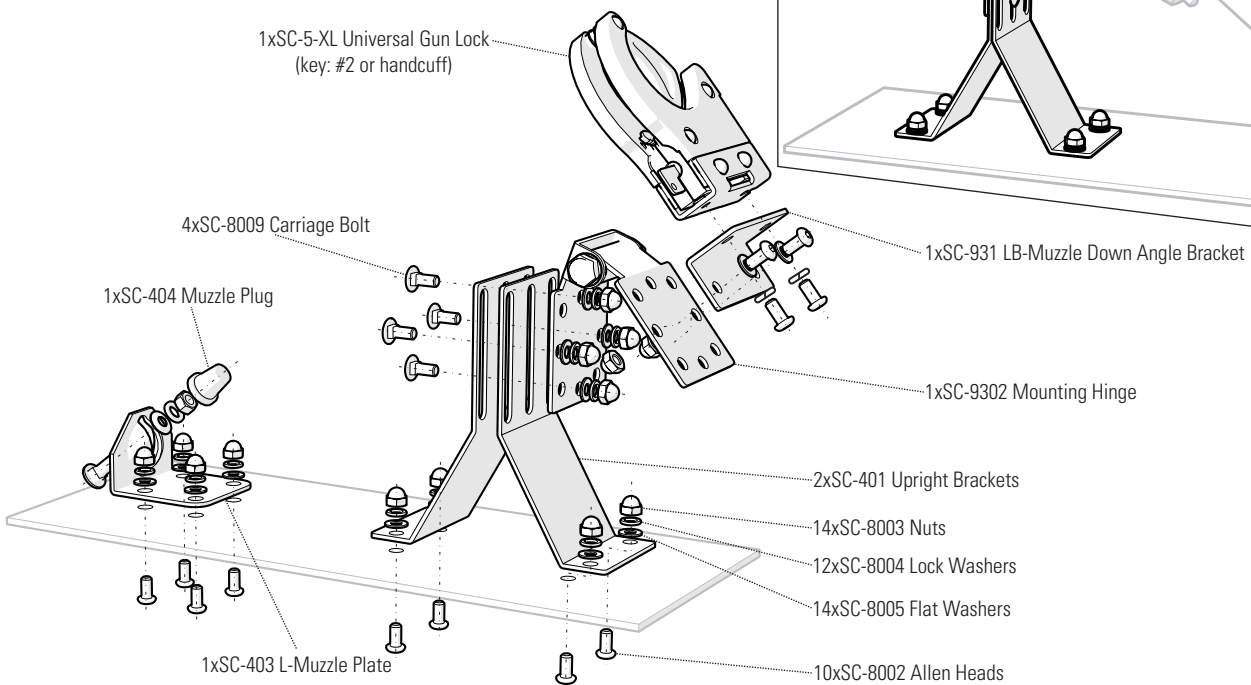


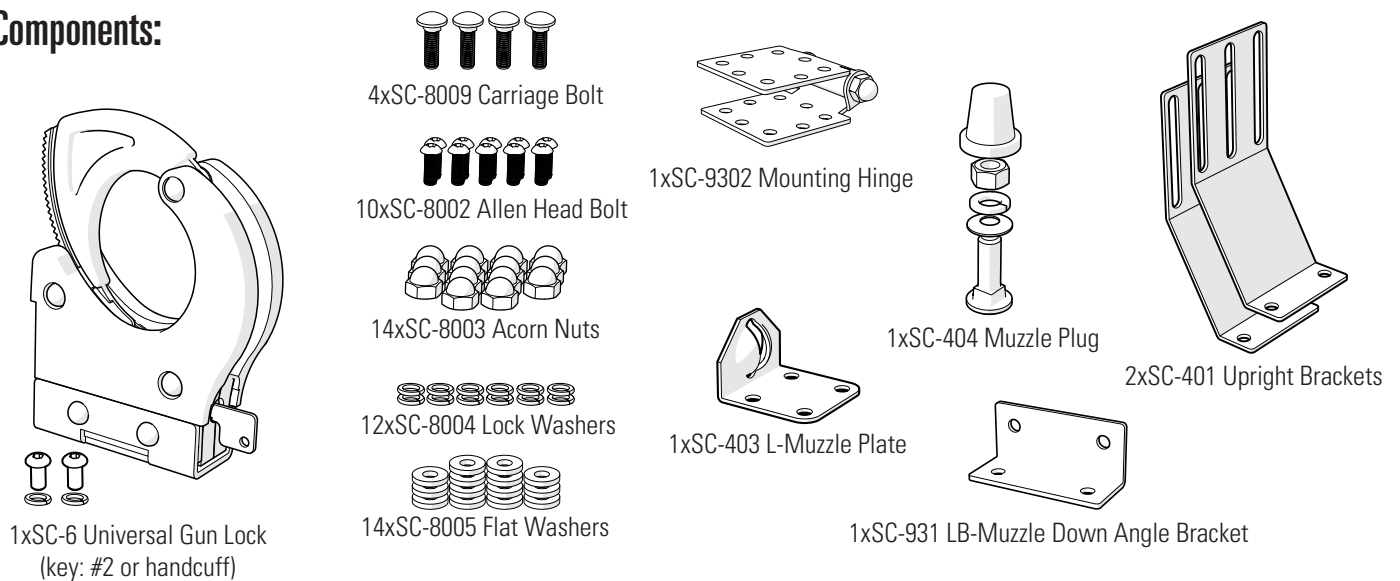
# Muzzle Down Shotgun Gun Rack SC-931-5-MS



## Exploded view:



## Components:

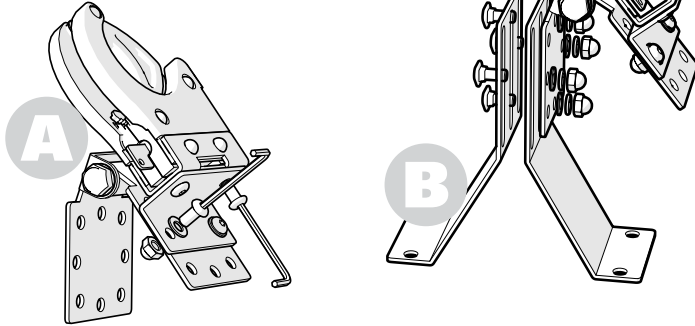


# Muzzle Down Shotgun Gun Rack SC-931-5-MS

2/3

## 1 Install Gun Lock

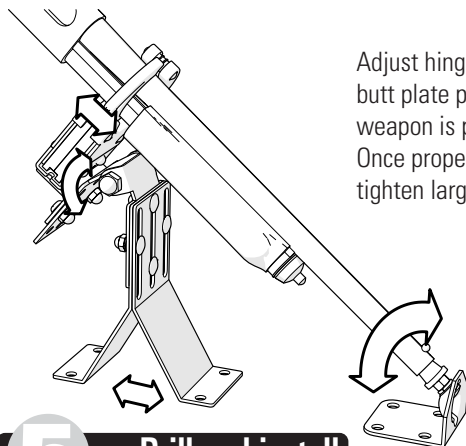
Install the Gun Lock (SC-6) onto Muzzle Down Angle Bracket (part No. SC-931-LB) and the Muzzle Down Angle Bracket onto Hinge (A)(part No. SC-9302). Tighten bolts with the exception of the large bolt on the Hinge to allow hinge adjustments.



Comment: If after installation any part of the weapon interferes with the Hinge, move the Angle Iron one hole higher. Using acorn cap nuts, install Hinge onto the two Upright Brackets (B)(part No. SC-401), which face each other. Tighten bolts a little to allow parts sliding.

## 3 Adjust the parts

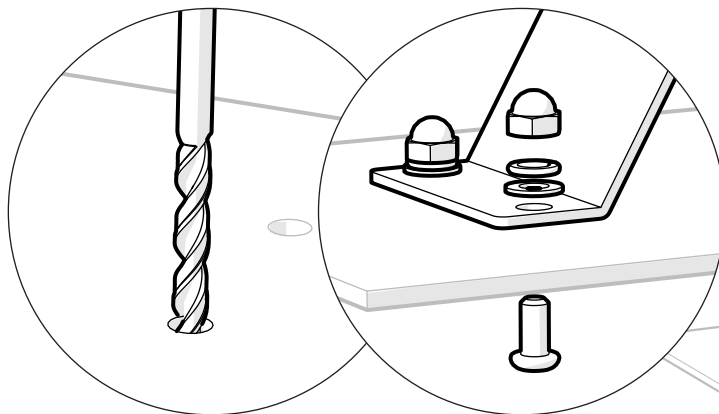
Slightly tighten all bolts and screws so you can still move parts around. Put your actual weapon in the gun lock and butt plate and position your whole assembly at your intended location.



Adjust hinge height/angle and butt plate position until your weapon is properly lined up. Once proper angle is established tighten large bolt on hinge.

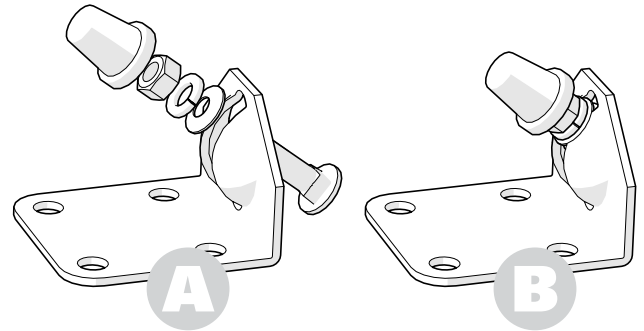
## 5 Drill and install

Drill your holes and install assembly.



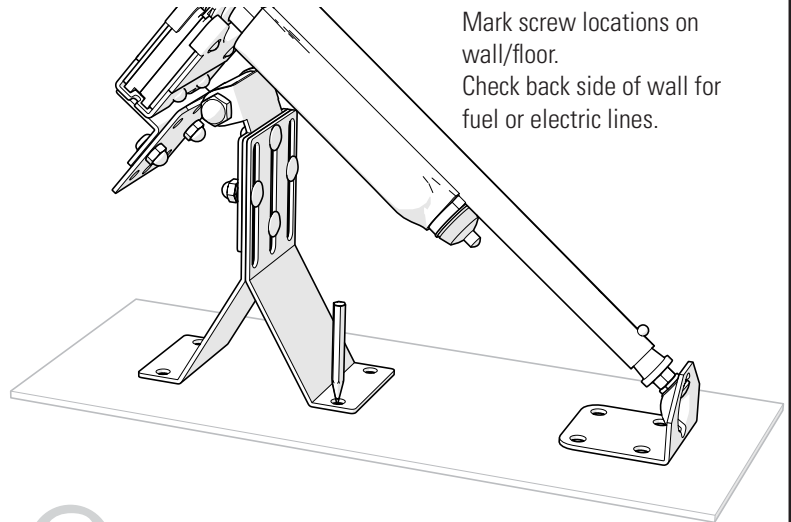
## 2 Install Muzzle Plug

Install Muzzle Plug (part No. SC-404) temporarily onto L-Muzzle Plate (A)(part No. SC-403). Tighten bolts to allow Muzzle Plug (B) to slide along the arch of L-Muzzle Plate.



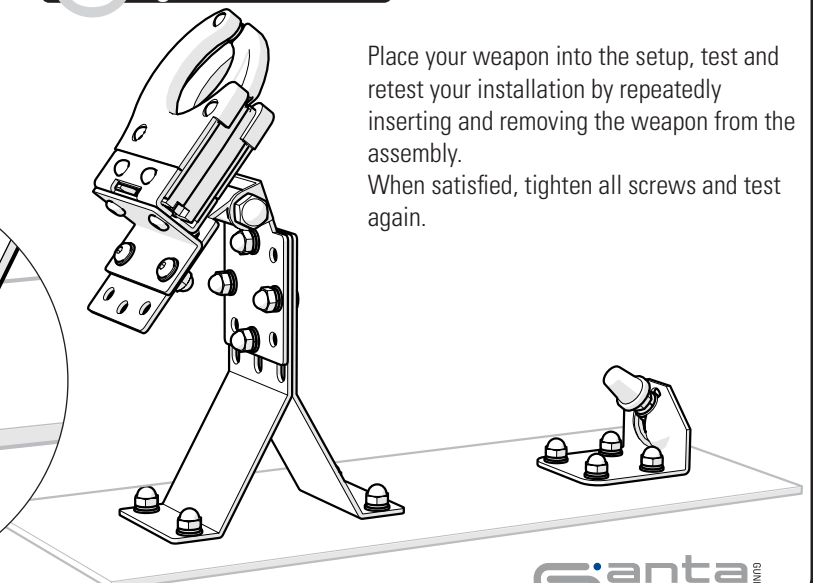
## 4 Mark the holes

Mark screw locations on wall/floor. Check back side of wall for fuel or electric lines.



## 6 Tighten the Screws

Place your weapon into the setup, test and retest your installation by repeatedly inserting and removing the weapon from the assembly. When satisfied, tighten all screws and test again.



# Muzzle Down Shotgun Gun Rack **SC-931-5-MS**

### Important

Should you have any problem installing or using Santa Cruz products, we are here to help you every step of the way. Just give us a call at our toll free number (800) 847-5428 and we will be glad to help you with the installation, special part request or any other way you might need assistance.

### **WARNING! SAFETY FIRST!** **Gun Lock Safety Precautions**



### NOTE:

Santa Cruz Gunlocks, LLC (SCG) gun racks and gun locks are intended for temporary, secure storage of firearms. They are not substitutes for a permanent storage enclosure and only act as limited theft deterrents. And they will not prevent accidental discharge/firing of a chambered round.

### To properly and safely use the SCG gun rack and/or gun lock:

- Do not use if your firearm does not fit the SCG gun rack and/or gun lock
- Never chamber a round while using a SCG gun rack and/or gun lock
- It is the responsibility of the user to operate the SCG gun rack and/or gun lock properly and safely

Santa Cruz Gunlocks, LLC. (SCG) warrants this product to be free of defects in material and workmanship under normal use for one year from the date of purchase.

SCG makes no other express or implied warranties of the product. The purchaser's sole and exclusive remedy in the unlikely event of breach of warranty is expressly limited to, at SCG's election, repair, refurbishment, or replacement of the defective product with the same version or an upgrade or, if replacement is not possible, a refund of the purchase price.

Shipping cost to SCG must be paid by the user and SCG will pay return shipping charges. Repair parts and replacement products will be provided on an exchange base only and will be either reconditioned or new. This limited warranty does not cover damage to the product resulting from accident, disaster, misuse, abuse, negligence, improper installation or modification or repair of the product other than by SCG. Limited warranty service may be obtained by returning the product to SCG. THIS LIMITED WARRANTY IS IN LIEU OF ALL OTHER WARRANTIES, EXPRESS OR IMPLIED, INCLUDING, BUT NOT LIMITED TO, THE IMPLIED WARRANTIES OF MERCHANTABILITY AND FITNESS FOR A PARTICULAR PURPOSE. Some states, do not allow the exclusion of implied warranties, so their exclusion above may not apply to you.

#### LIMITATION OF LIABILITY

NEITHER SCG NOR ITS AUTHORIZED DEALER(S) SHALL BE LIABLE FOR ANY DIRECT, INDIRECT, INCIDENTAL, SPECIAL, OR CONSEQUENTIAL DAMAGES, WHETHER IN AN ACTION IN CONTRACT OR TORT (INCLUDING NEGLIGENCE AND STRICT LIABILITY), SUCH AS, BUT NOT LIMITED TO, LOSS OF ANTICIPATED PROFITS OR BENEFITS RESULTING FROM THE USE OR NOT USE OF THE PRODUCT OR ANY BREACH OF ANY WARRANTY, EVEN IF SCG OR ITS AUTHORIZED REPRESENTATIVE HAS BEEN ADVISED OF THE POSSIBILITY OF SUCH DAMAGES. IN NO EVENT WILL SCG OR ITS AUTHORIZED REPRESENTATIVES' LIABILITY EXCEED THE PRICE PAID FOR THE PRODUCT.

### Tamper resistant hardware (optional)



10x Tamper Resistant Torx Head Bolt 5/16-18



14x Tamper Resistant Break Away Nut 5/16-18



TT-40 Torx Bit



1x Tamper Resistant Torx Head Bolt 1/2-13x3"



1x Tamper Resistant Break Away Nut 1/2-13

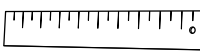


TT-55 Torx Bit

### Tools needed for installation



Tape Measure



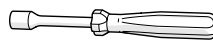
Ruler



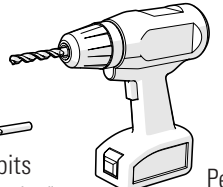
3/16" Hex Wrench



1/2", 3/4", 13/16" Wrench



Nutdriver



Drill



Drill bits 5/16", 21/64"



Pencil

### Note:

---



---



---



---



---



---



---



---



---



---

