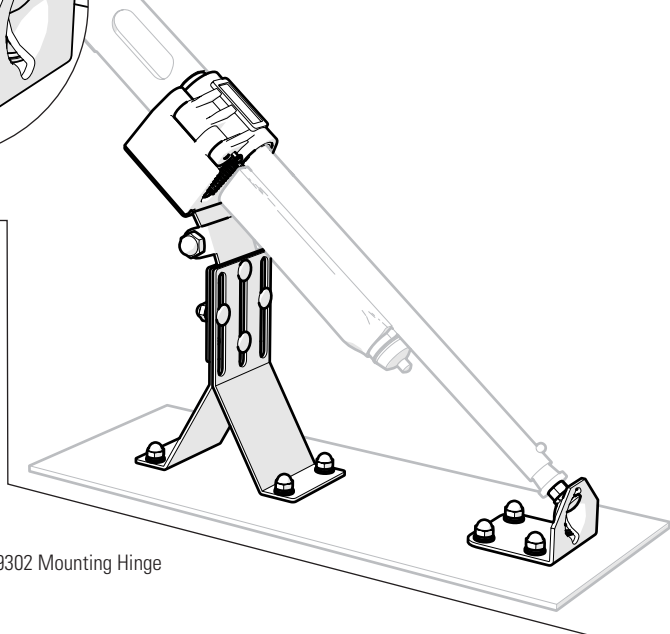
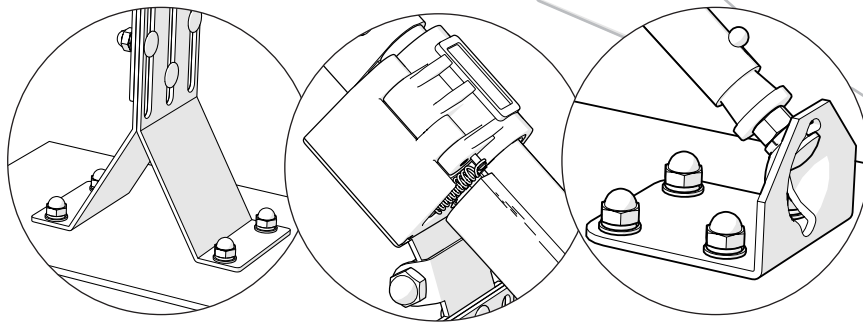
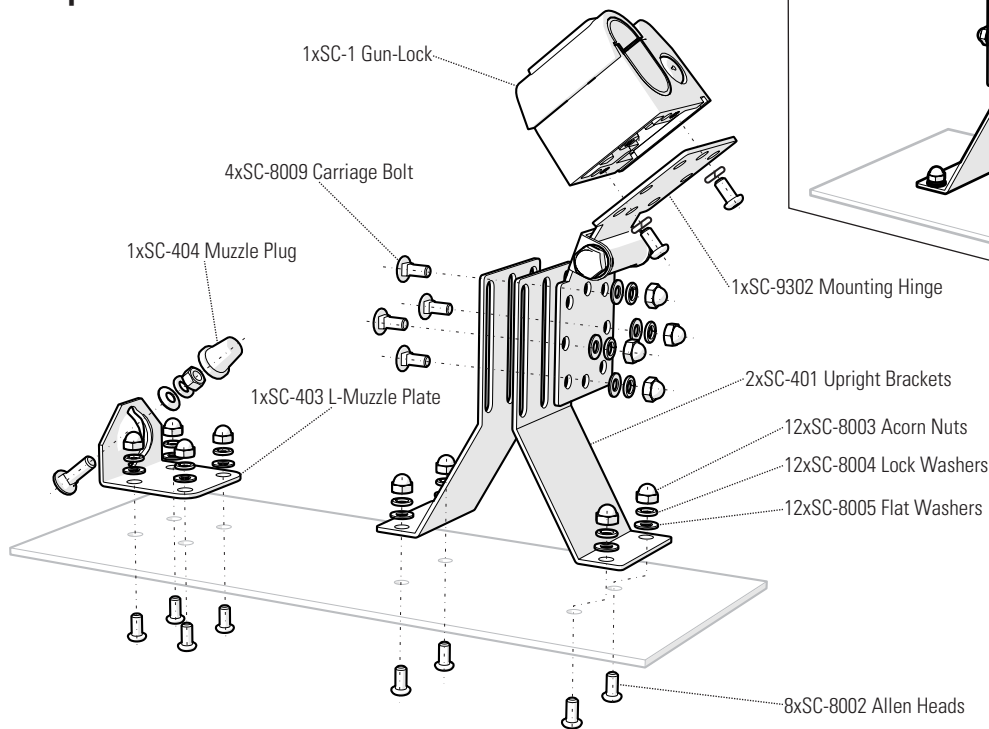


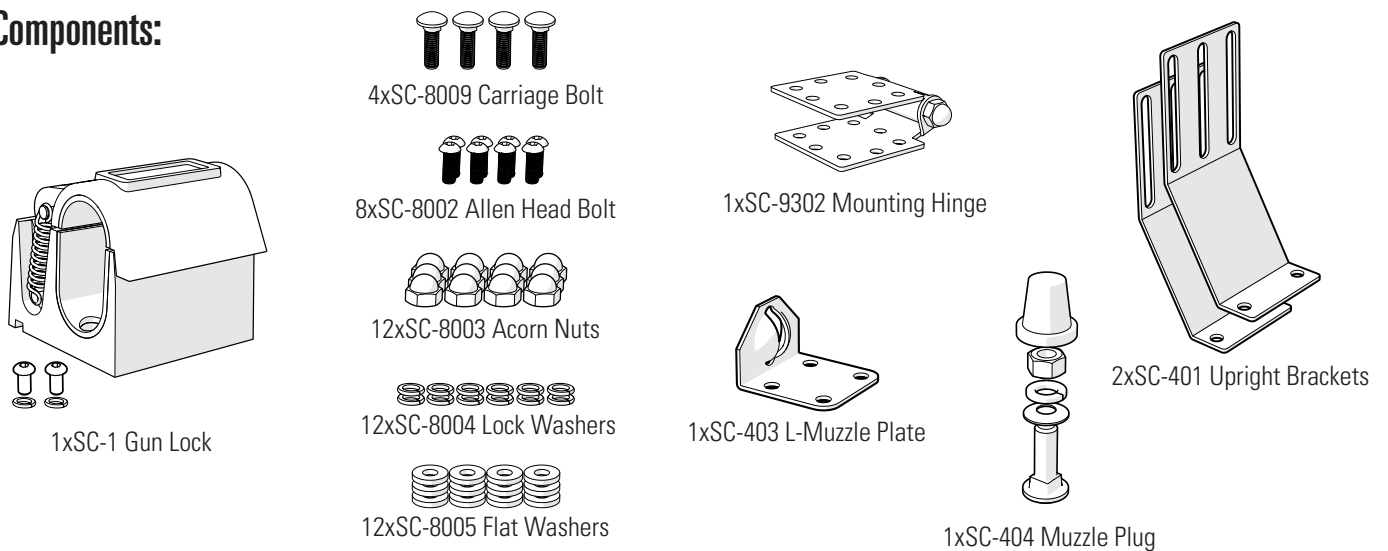
# Muzzle Down Pump Shotgun Gun Rack SC-931-1



## Exploded view:



## Components:

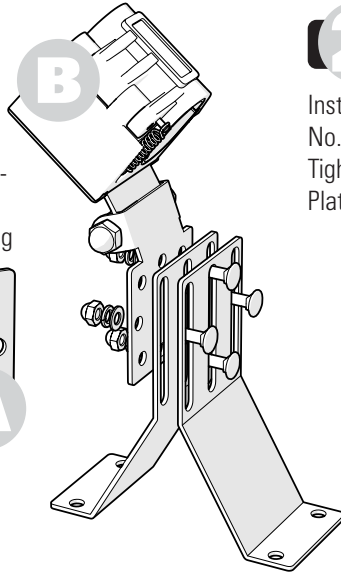
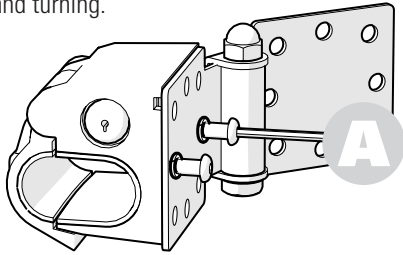


# Muzzle Down Pump Shotgun Gun Rack **SC-931-1**

2/3

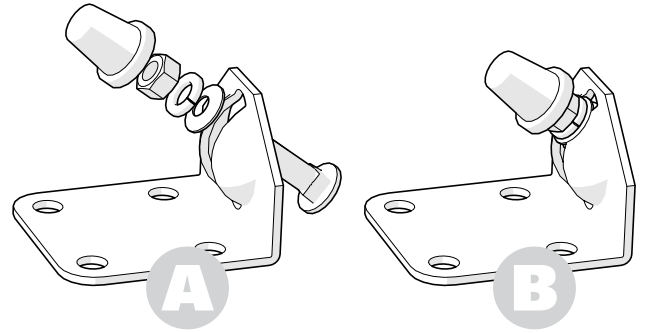
## 1 Install Gunlock

Install the Gun Lock (SC-1) on Hinge (A)(part No. SC-9302). Install Hinge onto the two Upright Brackets (B)(part No. SC-401), which face each other. Tighten bolts a little to allow parts sliding and turning.



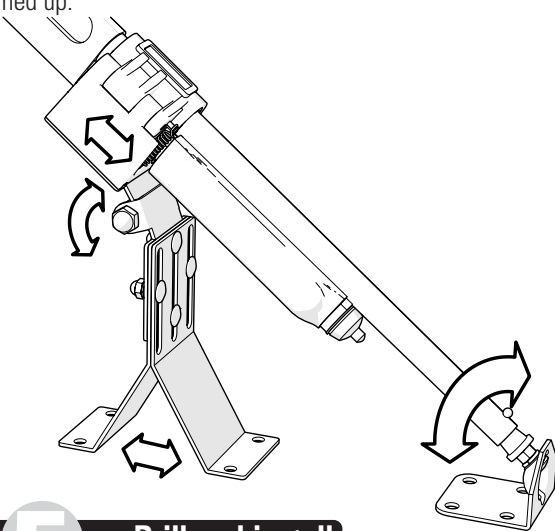
## 2 Install Muzzle Plug

Install Muzzle Plug (part No. SC-404) temporarily onto L-Muzzle Plate (A)(part No. SC-403). Tighten bolts to allow Muzzle Plug (B) to slide along the arch of L-Muzzle Plate.



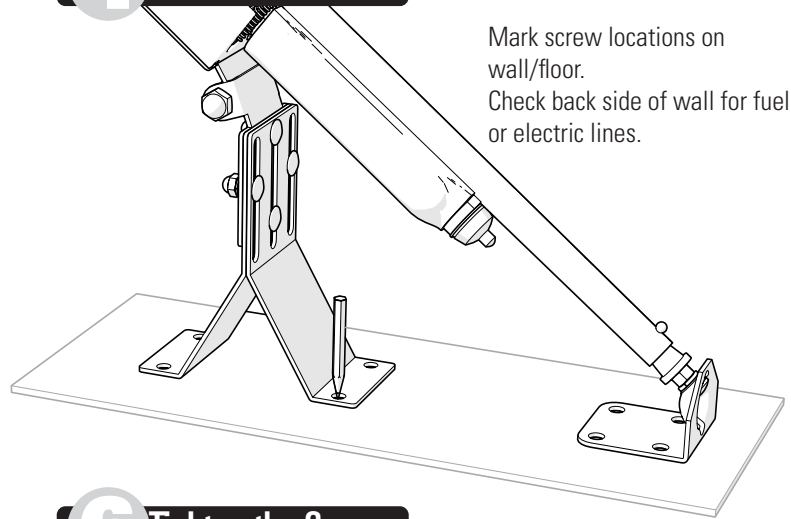
## 3 Adjust the Parts

Slightly tighten all bolts and screws so you can still move parts around. Put your actual weapon in the gun lock and butt plate and position your whole assembly at your intended location. Adjust hinge height/angle and butt plate position until your weapon is properly lined up.



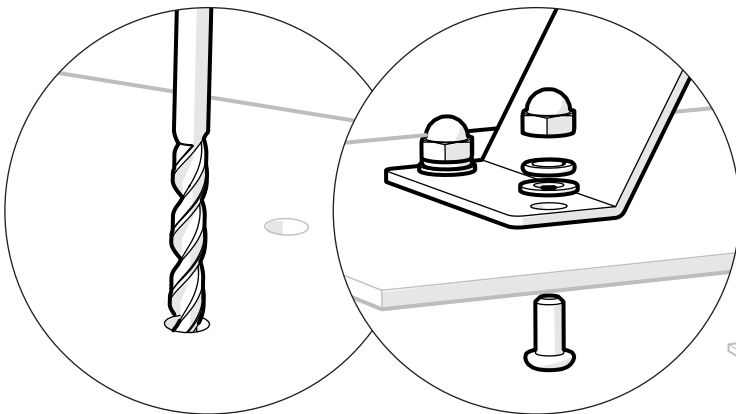
## 4 Mark the holes

Mark screw locations on wall/floor. Check back side of wall for fuel or electric lines.



## 5 Drill and install

Drill your holes and install assembly.



## 6 Tighten the Screws

Place your weapon into the setup, test and retest your installation by repeatedly inserting and removing the weapon from the assembly. When satisfied, tighten all screws and test again.

